

Portable Steam Cleaner

MODEL SF-246



User's Guide

Please read all instructions before use.

KEEP YOUR RECEIPT FOR WARRANTY PURPOSES.

IMPORTANT SAFETY INSTRUCTIONS



WARNING: To reduce risk of fire, electrical shock or injury, the following basic safety precautions should always be followed when using an electrical appliance.

WARNING: To reduce the risk of electrical shock, this appliance uses a grounded (three-pronged) plug. This plug will fit in a grounded wall outlet only one way. If the plug does not correctly fit in the outlet, contact a licensed electrician to install a proper outlet. DO NOT attempt to modify the plug or defeat this safety feature.

READ ALL INSTRUCTIONS BEFORE USE



DANGER

Any appliance is electrically live even when switched off. To reduce risk of electrical shock:

1. Always unplug power cord immediately after using.
2. Do not place or store unit where it can fall or be pulled into a sink or tub.
3. Do not place in, or drop into water or other liquid.
4. If unit falls into water, immediately unplug power cord. Do not reach into the water.



WARNING

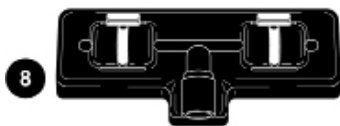
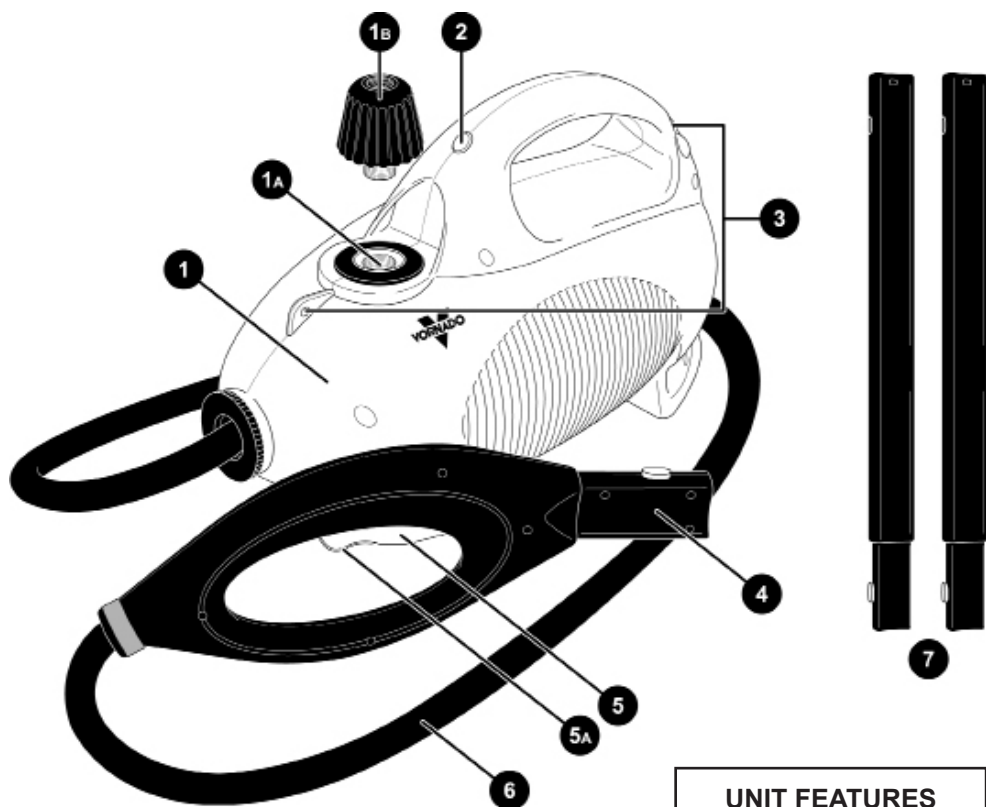
To reduce risk of burns, electrocution, fire, or injury to persons:

1. Use Portable Steam Cleaner only for its intended purpose as indicated in this manual.
2. If an extension cord is necessary, use a properly rated cord (15 ampere, 14 gauge). Use care to position extension cord where it is least likely to be damaged or tripped over during use.
3. Before plugging power cord into electrical outlet, be sure that all electrical information on rating label agrees with your power supply.
4. To reduce likelihood of circuit overload, DO NOT operate another high wattage appliance on the same circuit as this unit.
5. To protect against risk of electrical shock, do not immerse unit in water or other liquids. Do not use power cord as handle, let it hang over edges of counters, or be crimped or closed in doors.
6. Never yank power cord to disconnect from outlet; instead, grasp plug and pull to disconnect.
7. Do not operate unit with a damaged power cord or if the unit has been dropped or damaged. To avoid risk of electrical shock, do not disassemble unit; contact a technician for examination and repair. Incorrect reassembly can cause a risk of electrical shock when unit is used.
8. Close supervision is required for any appliance being used near children, pets and plants. Do not leave unit unattended while plugged in.
9. This unit is not intended for use by persons (including children) with reduced physical, sensory or mental capabilities, or lack of experience and knowledge, unless they have been given supervision or instruction concerning use of the unit by a person responsible for their safety.

-
10. Do not use unit where aerosol-based products are being used, or where oxygen is being administered.
 11. This unit is only meant to be used with recommended Portable Steam Cleaner (model SF-246) accessories. Using other types of attachments may cause damage to unit or injury.
 12. If Heating Indicator Light does not illuminate when power cord is plugged in, unit is not operating normally. Immediately disconnect cord from power supply, then refer to troubleshooting guide on Page 13 of this manual for assistance.
 13. Always unplug power cord before filling with water, and when unit is not in use.
 14. To avoid burns from escaping steam when removing Boiler Cap to refill unit:
 - Make certain power cord is unplugged.
 - Always allow unit to cool for a minimum of 5-10 minutes.
 - Press and hold Steam Trigger to release all remaining steam pressure.
 15. Do not attempt to use unit without properly filling it with water.
 16. When filling unit, only water should be used – other cleaning agents could damage unit or cause injury. Distilled or de-mineralized water is highly recommended, in order to minimize potential build-up of mineral deposits.
 17. To reduce risk of contact with hot water emitting from Main Steam Nozzle, check appliance before each use by positioning it away from body and press Steam Trigger. Do not operate unit if Main Steam Nozzle is blocked.
 18. Use caution when using unit on or near an uneven surface.
 19. Burns can occur from touching hot plastic parts, hot water, or steam. Do not touch Main Steam Nozzle or attempt to connect any accessories while unit is in use. Use caution when you turn unit upside-down – there may be hot water inside.
 20. When steaming any surface for the first time, it is recommended that you consult the manufacturer's guidelines for the material being steamed. For items in question, test on an inconspicuous area before proceeding.
 21. Do not allow power cord to touch hot surfaces during use. Loosely bundle cord when storing.
 22. Always allow Portable Steam Cleaner to cool (30 minutes for complete cooling) and empty Boiler before storing.

SAVE THESE INSTRUCTIONS!
FOR HOUSEHOLD USE ONLY

Product Information



UNIT FEATURES & ACCESSORIES

- 1 Boiler
- 1A Boiler Fill Hole
- 1B Boiler Cap
- 2 Heating Indicator Light
- 3 Strap Tabs
- 4 Main Steam Nozzle
- 5 Steam Trigger
- 5A Steam Lock Switch
- 6 Steam Hose
- 7 Extension Wands (2)
- 8 Utility Head
- 9 Cloth Cover
- 10 Shoulder Strap
- 11 Jet Nozzle
- 12 Nylon Brush
- 13 Brass Brush
- 14 Nozzle Tip
- 15 Measuring Cup

- The *Boiler* (1) is the internal heating chamber where water is converted into steam. Some empty space inside the *Boiler* is required for this conversion process, so the recommended maximum water capacity (33 oz. / 975 ml.) should not be exceeded when filling with water.
- The *Boiler Fill Hole* (1A) is the opening through which water is poured into the *Boiler*.
- The *Boiler Cap* (1B) securely covers the *Boiler Fill Hole*, preventing hot steam from escaping the *Boiler*. The *Boiler Cap* must be unscrewed and removed in order to fill the *Boiler* with water.
- The *Heating Indicator Light* (2) illuminates to indicate that the unit is powered on and actively heating, and deactivates when the unit is ready to begin steaming.
- The two *Strap Tabs* (3) serve as connection points for connecting the *Shoulder Strap* to the unit.
- The *Main Steam Nozzle* (4) releases a flow of hot, penetrating steam when the *Steam Trigger* is pressed. The *Jet Nozzle* and *Extension Wands* connect directly to the *Main Steam Nozzle*.
- The *Steam Trigger* (5) controls the flow of steam from the *Main Steam Nozzle*.
- The *Steam Lock Switch* (5A) locks down the *Steam Trigger* for a continuous flow of steam.
- The *Steam Hose* (6) directs steam from the *Boiler* to the *Main Steam Nozzle*, and is designed to remain flexible while safely containing the steam.
- The *Extension Wands* (7) connect to the *Main Steam Nozzle*, allowing easier cleaning of floors, ceilings and other hard-to-reach places.
- The *Utility Head* (8) connects to the *Jet Nozzle* and is designed for cleaning floors and other large surface areas. The *Utility Head* includes three modes of operation: brush, squeegee, and neutral (flat). Refer to Page 8 for details.
- The *Cloth Cover* (9) wraps around the *Utility Head*, diffusing steam flow for more effective cleaning on tile, hardwood and other hard surface floors.
- The *Shoulder Strap* (10) connects to the two *Strap Tabs*, allowing the unit to be conveniently toted hands-free for mobile cleaning.
- The *Jet Nozzle* (11) connects to either the *Main Steam Nozzle* or the *Extension Wands*, and is designed to safely focus the flow of steam. The *Utility Head*, *Brushes* and *Nozzle Tip* all connect to the *Jet Nozzle*.
- The *Nylon Brush* (12) connects to the *Jet Nozzle* and is designed to work with steam to remove stubborn stains and grime. It is ideal for use on tile, grout, carpet, upholstery, and any other surface that will not be scratched or damaged by the nylon bristles.
- The *Brass Brush* (13) connects to the *Jet Nozzle* and is designed to work with steam to remove stubborn stains and grime. It is intended for use on BBQ grills, oven racks, automobile engines & wheels, shop tools and other hard metal surfaces

NOTE: Some delicate surfaces, such as stainless steel, may be scratched or damaged by the brass bristles. Use careful judgement when deciding what surface to clean with the Brass Brush. If you are unsure if a surface will be damaged, it is recommended that you carefully test a small inconspicuous spot before proceeding.

- The *Nozzle Tip* (14) connects to the *Jet Nozzle* and is designed to finely focus the flow of steam. It is recommended that the *Nozzle Tip* be used when not using either of the *Brushes* or the *Utility Head* with the *Jet Nozzle*.
- The *Measuring Cup* (15) is provided to assist in easily and consistently filling the *Boiler* with the optimum amount of water (33 oz. / 975 ml.).

Assembling Your Portable Steam Cleaner

WARNING: DO NOT attempt to connect any accessories while unit is emitting steam. Doing so could result in burns or other injury.

CONNECTING JET NOZZLE

1. Align Jet Nozzle with Main Steam Nozzle as shown (FIGURE 1-A).
2. Press down on the locking button located on Main Steam Nozzle. While continuing to hold button down, slide Jet Nozzle onto Main Steam Nozzle. Push Jet Nozzle over button, and continue to push it on unit button snaps through hole on Jet Nozzle (FIGURE 1-B).
3. To remove, press in on locking button while simultaneously pulling Jet Nozzle off of Main Steam Nozzle.

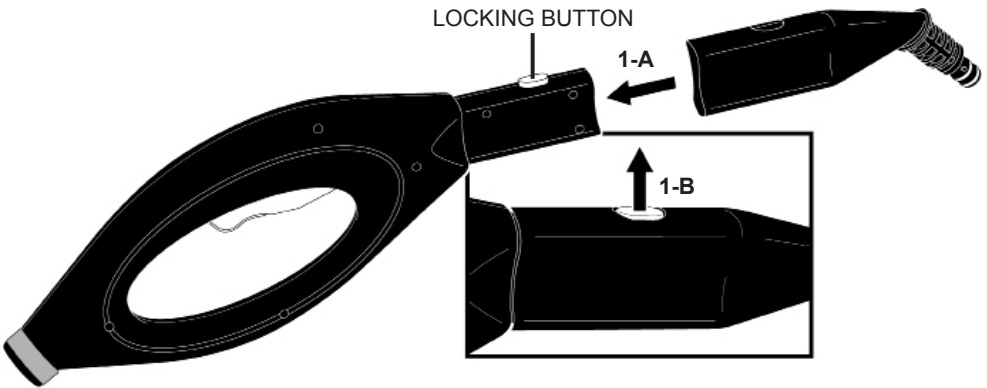


FIGURE 1

CONNECTING BRUSHES / NOZZLE TIP

NOTE: Nozzle Tip shown in FIGURE 2 as example.

1. Align Brush or Nozzle Tip with Jet Nozzle as shown (FIGURE 2-A). Make sure that two side pegs on tip of Jet Nozzle align with grooves inside of Brush or Nozzle Tip.
2. Slide Brush or Nozzle Tip onto Jet Nozzle, then rotate clockwise (when viewed from front) to lock in place (FIGURE 2-B). Side pegs on Jet Nozzle will be visible through small holes in Brush or Nozzle Tip (FIGURE 2-C).

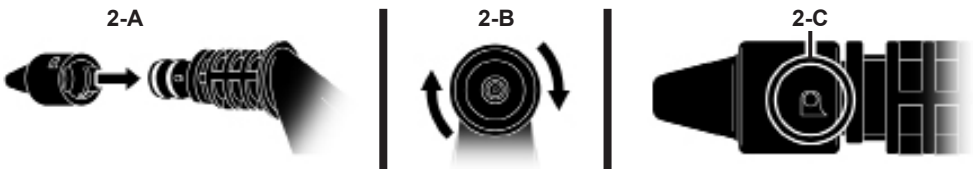


FIGURE 2

WARNING: DO NOT attempt to connect any accessories while unit is emitting steam. Doing so could result in burns or other injury.

CONNECTING UTILITY HEAD

1. Align Jet Nozzle and Utility Head as shown (FIGURE 3-A). Flat edge of Jet Nozzle will align with peg inside of Utility Head receptacle.
2. Slide Jet Nozzle into Utility Head, pushing Jet Nozzle as far into receptacle as possible to ensure it is in proper position (FIGURE 3-B).
3. Rotate Jet Nozzle one half turn (180°) to secure it to Utility Head (FIGURE 3-C).

NOTE: Jet Nozzle will NOT lock into position, and can still be freely rotated. However, it will not disconnect from Utility Head unless turned back a full 180°.

4. Utility Head has three modes of operation, depending on position of levers:
 - Forward Position (FIGURE 3-D): lowers brush bristles for use on carpeting or upholstery.
 - Neutral (Middle) Position (FIGURE 3-E): for use on hardwood, linoleum or tile surfaces. For best results, attach Cloth Cover when mopping floors.
 - Rear Position (FIGURE 3-F): lowers squeegee for use on smooth surfaces such as windows or mirrors.

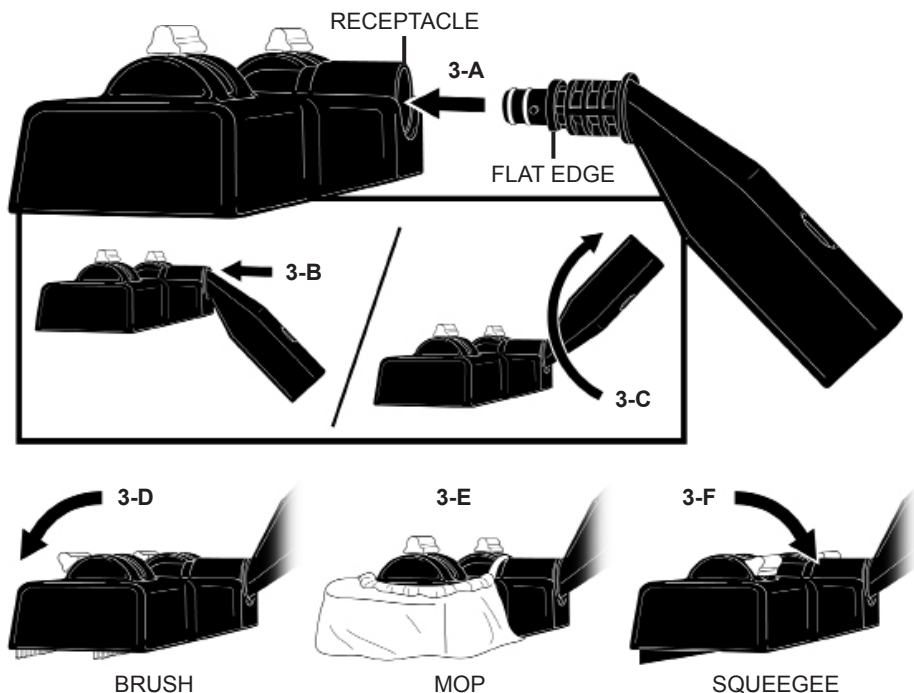


FIGURE 3

Assembling Your Portable Steam Cleaner

WARNING: DO NOT attempt to connect any accessories while unit is emitting steam. Doing so could result in burns or other injury.

CONNECTING EXTENSION WANDS

1. Select one of the Extension Wands, and align rear end of wand with Main Steam Nozzle as shown (FIGURE 4-A).
2. Press down on the locking button located on Main Steam Nozzle. While continuing to hold button down, slide Extension Wand onto nozzle. Push wand over button, and continue to push it on until button snaps through hole on Wand (FIGURE 4-B).
3. Now slide second Extension Wand onto the end of the one you just connected as shown (FIGURE 4-C). Push on firmly until locking button on first wand snaps through hole on second wand.
4. Slide Jet Nozzle (with connected Utility Head) onto end of second Extension Wand as shown (FIGURE 4-D). Push on firmly until locking button on second wand snaps through hole on Jet Nozzle.

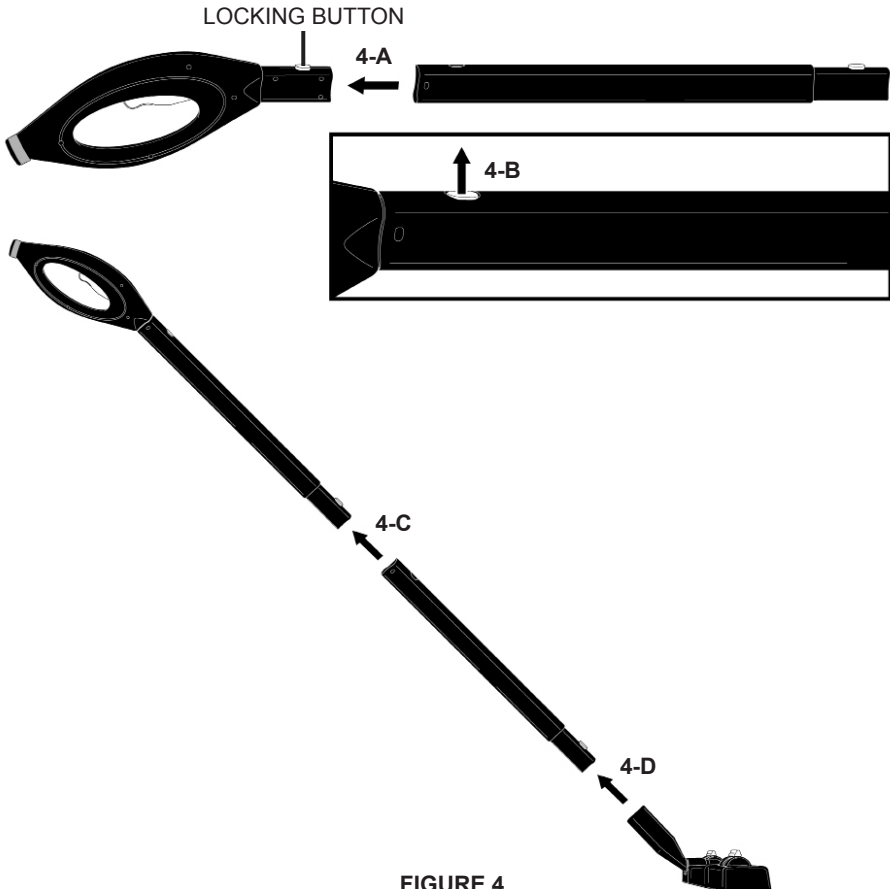


FIGURE 4

WARNING: DO NOT attempt to connect any accessories while unit is emitting steam. Doing so could result in burns or other injury.

ATTACHING CLOTH COVER

1. Wrap Cloth Cover around bottom of Utility Head, so that string-ties are positioned around rear receptacle (FIGURE 5-A).
2. Tie string-ties together to secure Cloth Cover to Utility Head (FIGURE 5-B).

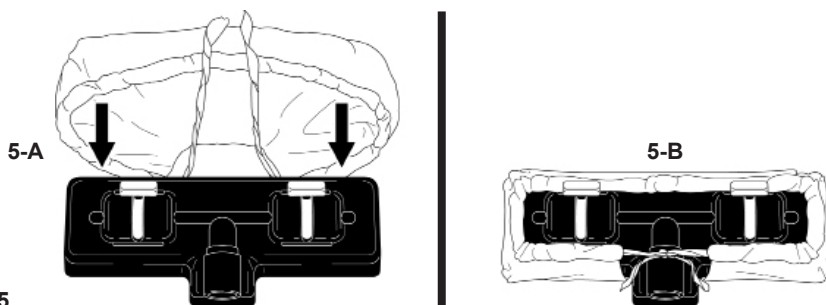


FIGURE 5

CAUTION: Use care when handling Cloth Cover after recent use, as it may still be hot.

NOTE: Cloth Cover is machine washable. To avoid picking up lint, washing separately from other fabrics is recommended. Only use liquid detergent. Avoid using any fabric softeners or bleach. Air drying is recommended; machine drying on a low setting is acceptable as well.

CONNECTING SHOULDER STRAP

1. Grasp clasp on one end of Shoulder Strap. Press down and hold lock to open clasp (FIGURE 6-A).
2. Slide clasp through hole of front Strap Tab, then release lock to close clasp (FIGURE 6-B).
3. Repeat STEPS 1 & 2, this time connecting the remaining Shoulder Strap clasp to rear Strap Tab. Shoulder Strap should now be securely connected to the main unit.

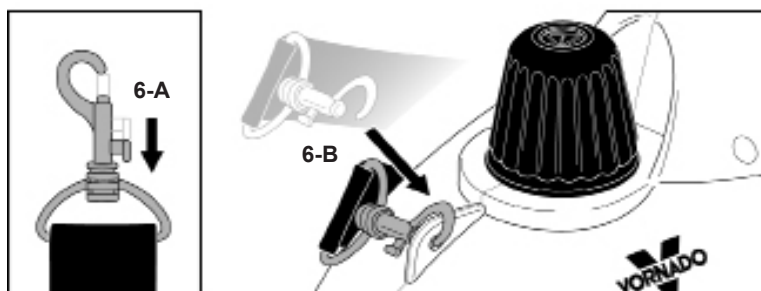


FIGURE 6

Using Your Portable Steam Cleaner

FILLING WITH WATER

1. Place Portable Steam Cleaner on a flat, level surface.
2. Make sure power cord is unplugged from electrical outlet.
3. Cautiously unscrew Boiler Cap by rotating it in a counter-clockwise direction, and remove from unit to expose Boiler Fill Hole (FIGURE 7-A).
4. Drain any water remaining inside Boiler into a sink or tub.

NOTE: Boiler should be emptied after each use – this will help minimize mineral build-up and prevent over-filling.

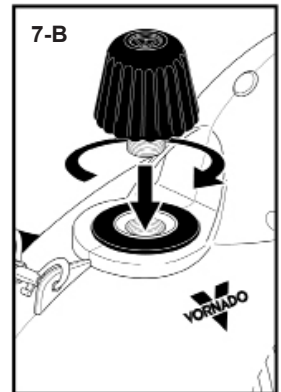
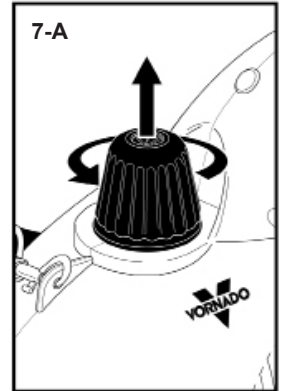
5. Fill Measuring Cup to maximum fill line with water.

NOTE: In order to significantly reduce mineral build-up and prolong the life of your Portable Steam Cleaner, use of distilled or de-mineralized water in the unit is highly recommended. Refer to Page 13 for more information about mineral build-up.

6. Carefully pour water from Measuring Cup into Boiler through Boiler Fill Hole.
7. If desired, refill Measuring Cup to maximum fill line with water, and pour second cupful into Boiler.

NOTE: Do not exceed the Boiler's maximum capacity of 33 oz. (975 ml.).

8. Replace Boiler Cap, rotating it in a clockwise direction and ensuring that it is screwed on tightly to prevent hot steam from escaping and causing injury (FIGURE 7-B).



REFILLING

 **If unit has been in use, always use the following safety precautions before removing Boiler Cap to add water:**

- Make certain power cord is unplugged.
- Allow unit to cool for a minimum of 5-10 minutes.
- Press and hold Steam Trigger to release all remaining steam.
Steam can remain pressurized inside Boiler for up to an hour after use.

WARNING: Failure to follow these precautions may result in burns from escaping steam when the Boiler Cap is removed.

STEAM CLEANING

NOTE: Before operating, make sure all desired accessories are connected and Boiler is filled with water (refer to Pages 6-10 for details).

1. For first-time use, remove protective plastic cover that is shipped on electrical plug. Insert power cord into convenient electrical outlet. Heating Indicator Light will immediately illuminate, indicating that unit is powered on and Boiler is heating.

CAUTION: This unit uses a grounded (3-prong) electrical plug. Use only in properly installed 3-prong electrical outlets. Do not attempt to alter plug or circumvent this safety feature.

2. After approximately 7 minutes, Heating Indicator Light will deactivate. This indicates that Boiler is fully heated and unit is ready to begin steaming.
3. Direct Main Steam Nozzle (and connected attachments) towards surface you wish to steam, and press and hold Steam Trigger.

CAUTION: Always be sure that Main Steam Nozzle and any attachments are pointed in a safe direction (away from yourself, other people, pets and plants) before pressing Steam Trigger.

4. Keep Steam Trigger depressed for a continuous flow of steam. You may also slide the Steam Lock Switch backward while holding down the trigger to lock it down (FIGURE 8). This will allow a continuous flow of steam without the need of holding down the Steam Trigger manually.

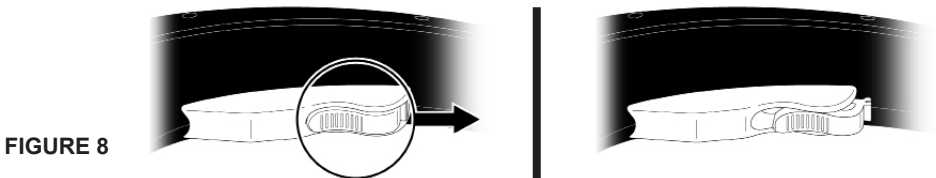


FIGURE 8

5. Using a slight back-and-forth motion over the area you are steaming will further enhance the cleaning process. Wipe steamed areas with a clean cloth to remove loosened dirt and grime.

CAUTION: Wiping the area while it is still wet is recommended, but use care when wiping surfaces such as metal that may still be hot.

NOTE: During use, the Heating Indicator Light may illuminate, accompanied by a slight drop in steam pressure. This is normal – after a few moments, the light will shut off once again and performance will return to normal.

6. To effectively kill bacteria and other microorganisms, hold Main Steam Nozzle (and any connected accessories) approximately 1/2 inch from surface and press Steam Trigger. Keep trigger held to concentrate steam on the same spot for at least 5 seconds.
7. At its maximum capacity (33 oz. / 975 ml.), the unit will provide approximately 30 minutes of continuous steam. If you wish to continue steaming, unplug electrical plug from power outlet and refer to **Refilling** section on Page 10 for details.
8. Once you are finished using your Portable Steam Cleaner, immediately unplug power cord from electrical outlet. Refer to **Storage & Care** guidelines on Page 12 for proper cleaning and storage procedures.

Storage & Care

PROPER STORAGE

Preparing your Portable Steam Cleaner for storage is quick and simple. When you have finished your steaming tasks, follow the steps listed below.

1. Unplug power cord from electrical outlet.
2. Allow unit to cool (30 minutes for complete cooling).
3. Press and hold Steam Trigger to release any remaining steam pressure.
4. Remove all connected attachments from unit.
5. Unscrew and remove Boiler Cap. Drain any remaining water in Boiler into a sink or tub – this will help to minimize potential mineral build-up in the Boiler, as well as prevent unintentional overfilling during your next use.
6. Loosely replace Boiler Cap. Do not screw on tightly, as this may make it difficult to remove in the future.
7. Loosely bundle power cord and store Portable Steam Cleaner and all accessories in a cool, dry location.

MINERAL BUILD-UP

A common maintenance need for steam appliances is the removal of build-up caused by high mineral content in many municipal water supplies. This mineral build-up may limit the effectiveness and reduce the life of your Portable Steam Cleaner.

The best way to minimize mineral build-up is to use distilled or de-mineralized water when using your Portable Steam Cleaner. In addition, it is recommended that the unit be cleaned at least once a month in order to remove any deposits that form. This will help to extend the life of your Portable Steam Cleaner and keep it functioning at its maximum potential.

To remove mineral build-up:

1. Unplug power cord from electrical outlet.
2. Allow unit to cool (at least 30 minutes for complete cooling).
3. Press and hold Steam Trigger to release all remaining steam pressure.
4. Remove all connected attachments from unit.
5. Unscrew and remove Boiler Cap.
6. Drain all water from Boiler into a sink or tub.
7. Fill Measuring Cup with 16 oz. (473 ml.) distilled vinegar.
8. Carefully pour vinegar into Boiler. Slowly shake or move unit around to agitate vinegar.
9. Allow to stand for at least 40 minutes, or more if possible.
10. Drain vinegar from Boiler.
11. Rinse Boiler with fresh water, drain and repeat until vinegar odor dissipates.
12. Loosely replace Boiler Cap and store Portable Steam Cleaner as usual.

Troubleshooting

PROBLEM	POSSIBLE CAUSE	SOLUTION
Unit fails to heat up. Heating Indicator Light DOES NOT illuminate.	Unit is not plugged in.	Plug power cord into electrical outlet.
	Household circuit breaker / ground fault interrupter has tripped or blown a fuse.	Reset circuit breaker / ground fault interrupter, or replace fuse. If you need assistance, contact a licensed electrician.
	Unit is damaged or otherwise in need of repair.	Immediately cease usage and unplug.
Unit fails to heat up. Heating Indicator Light DOES illuminate.	Boiler is empty.	Refer to Filling with Water procedure on Page 10.
	Mineral build-up in unit.	Refer to Mineral Build-up section on Page 12 for cleaning procedure.
	Unit is damaged or otherwise in need of repair.	Immediately cease usage and unplug.
Steam output is weak or intermittent.	Water level in Boiler is running low.	Refer to Refilling procedure on Page 10.
	Mineral build-up in unit.	Refer to Mineral Build-up section on Page 12 for cleaning procedure.
Excessive amount of water in steam. NOTE: Unit produces moist steam – it is normal for steam to contain some amount of water.	Water condensation in Steam Hose.	Point Main Steam Nozzle towards sink, tub or ground and shake while pressing Steam Trigger. Continue until excess water is released.
	Boiler has been overfilled.	Filling Boiler with more than 32 oz. (946 ml.) of water interferes with steam production, resulting in water condensation in steam. Drain some water out of Boiler. Always use included Measuring Cup to fill Boiler with correct amount of water (see Page 10 for details).
	Unit has not heated to full operating temperature.	Wait until Heating Indicator Light turns off to begin steaming.
Accessories do not stay firmly connected to Main Steam Nozzle.	Accessories not properly installed.	Check to make sure that accessories are properly connected, per procedures on Pages 6-9.
Floor surfaces appear cloudy or streaky after steaming.	Cloth Cover is dirty.	Remove and wash Cloth Cover (refer to Page 9 for details).
	Hard water residue on floor.	Switch to distilled or de-mineralized water.

Product Specifications

MODEL	SF-246
VOLTAGE	127V / 220V
WATTAGE	1500W
WATER CAPACITY	33 OZ. (975 ML.)
HEATING TIME	7 MIN. (APPROXIMATE)
CONTINUOUS STEAM TIME	30 MIN. (APPROXIMATE)
UNIT WEIGHT	6.80 LBS. (3.08 KG.)
UNIT DIMENSIONS	13.98" (35.5 CM.) x 6.89" (17.5 CM.) x 8.66" (22.0 CM.)
POWER CORD LENGTH	12.8' (390.0 CM.)



steamfast

powerful. natural. intelligent.™

review this product online
evalúe este producto en línea
évaluer ce produit en ligne

www.steamfast.com/reviews

Steamfast

415 East 13th, Andover, KS 67002

1-800-711-6617 | www.steamfast.com | consumerservice@steamfast.com